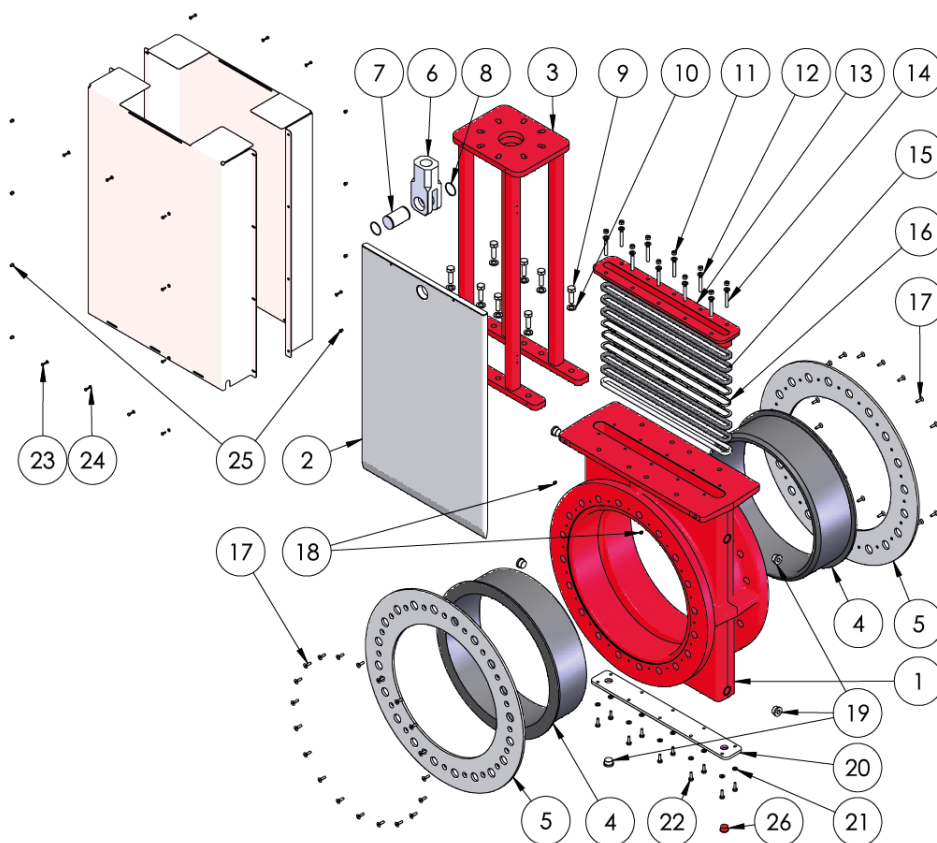




## SKH Slurry Knife Gate Valves, up to 20 bar, DN80-600

| Part | Qty | Description                             | Part | Qty | Description                   |
|------|-----|---|------|-----|-------------------------------|
| 1    | 1   | Valve body                              | 11   |     | Gland retainer nut            |
| 2    | 1   | Gate                                    | 12   |     | Gland retainer washer         |
| 3    | 1   | Tower                                   | 13   | 1   | Gland retainer                |
| 4    | 2   | Ring sleeve<br>(recommended spare part) | 14   |     | Gland retainer stud bolt      |
| 5    | 2   | Ring sleeve retainer                    | 15   |     | Packing seal                  |
| 6    | 1   | Clevis                                  | 16   |     | Grease spacer                 |
| 7    | 1   | Clevis pin                              | 17   |     | Socket head countersunk screw |
| 8    | 2   | Clevis pin retaining ring               | 18   |     | Grease nipple                 |
| 9    |     | Tower mounting bolt                     | 19   |     | Flushing plug                 |
| 10   |     | Tower mounting washer                   |      |     |                               |



### TECHNICAL DATA

#### Valve Body

- Heavy duty single piece cast body
- Heavy duty tower
- Lubricated gland packing
- Flushing ports

#### Actuators

- Handwheel with gearbox
- Pneumatic
- Pneumatic with pneumatic spring
- Hydraulic
- Electric

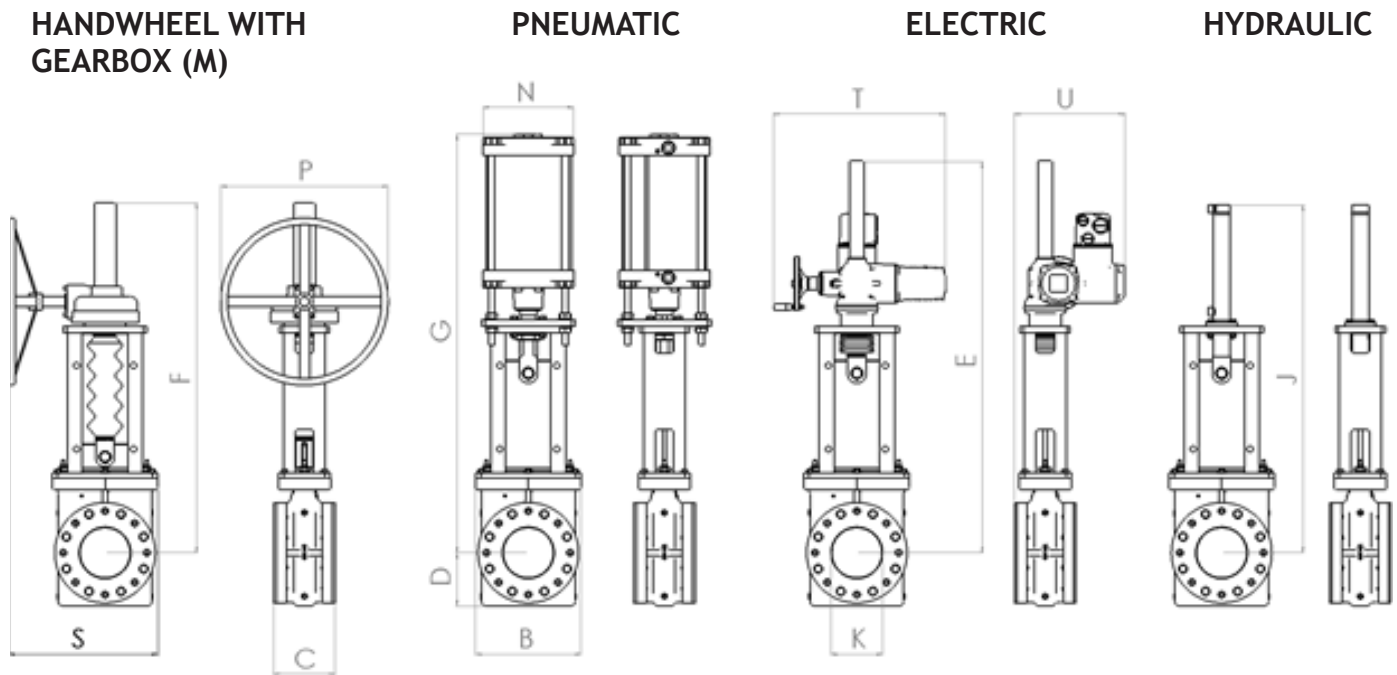
#### Accessories

- Limit switches
- Solenoid valves
- Guarding
- Flushing

Pressure: up to 20 bar  
 Sizes: DN80-600



## Main dimensions of SKH valves



| Valve size (DN) | B   | C   | D   | E    | F    | G    | J    | K   | N   | P   | S   | T   | U   | Weight (kg) |     |     |      |
|-----------------|-----|-----|-----|------|------|------|------|-----|-----|-----|-----|-----|-----|-------------|-----|-----|------|
|                 |     |     |     | E    | MG   | A    | H    |     | A   | MG  |     | E   |     | E           | MG  | A   | H    |
| 80              | 265 | 175 | 129 | 839  | 763  | 875  | 764  | 80  | 182 | 200 | 386 | 513 | 370 | 68          | 59  | 56  | 43   |
| 100             | 286 | 181 | 171 | 892  | 866  | 1002 | 867  | 100 | 244 | 200 | 397 | 513 | 381 | 80          | 72  | 77  | 59   |
| 125             | 330 | 184 | 198 | 986  | 1005 | 1190 | 1006 | 125 | 284 | 200 | 419 | 513 | 403 | 121         | 113 | 143 | 96   |
| 150             | 330 | 184 | 198 | 986  | 1005 | 1190 | 1006 | 150 | 284 | 200 | 419 | 513 | 403 | 121         | 106 | 136 | 113  |
| 200             | 380 | 184 | 219 | 1186 | 1196 | 1410 | 1206 | 200 | 347 | 400 | 494 | 536 | 438 | 144         | 130 | 201 | 113  |
| 250             | 430 | 226 | 248 | 1313 | 1330 | 1590 | 1364 | 250 | 450 | 400 | 520 | 724 | 500 | 224         | 187 | 263 | 171  |
| 300             | 480 | 242 | 298 | 1485 | 1485 | 1562 | 1517 | 300 | 610 | 400 | 613 | 731 | 526 | 304         | 276 | 386 | 227  |
| 350             | 610 | 251 | 338 | 1759 | 1745 | -    | 1782 | 350 | -   | 600 | 798 | 724 | 586 | 489         | 391 | -   | 414  |
| 400             | 660 | 286 | 363 | 2040 | 2026 | -    | 2079 | 400 | -   | 500 | 823 | 724 | 611 | 610         | 513 | -   | 552  |
| 450             | 710 | 311 | 388 | 2216 | -    | -    | 2278 | 450 | -   | -   | -   | 795 | 685 | 760         | -   | -   | 802  |
| 500             | 760 | 373 | 413 | 2388 | -    | -    | 2400 | 500 | -   | -   | -   | 795 | 707 | 870         | -   | -   | 885  |
| 600             | 860 | 373 | 478 | 2654 | -    | -    | 2588 | 600 | -   | -   | -   | 919 | 841 | 1097        | -   | -   | 1120 |

Dimensions and weight are for guidance only - detailed drawings are available on request. All dimensions are in millimeters.



Flowrox Oy  
P.O. Box 338  
FI-53101 Lappeenranta, Finland  
Tel. +358 201 113 311

www.flowrox.com  
info@flowrox.com

