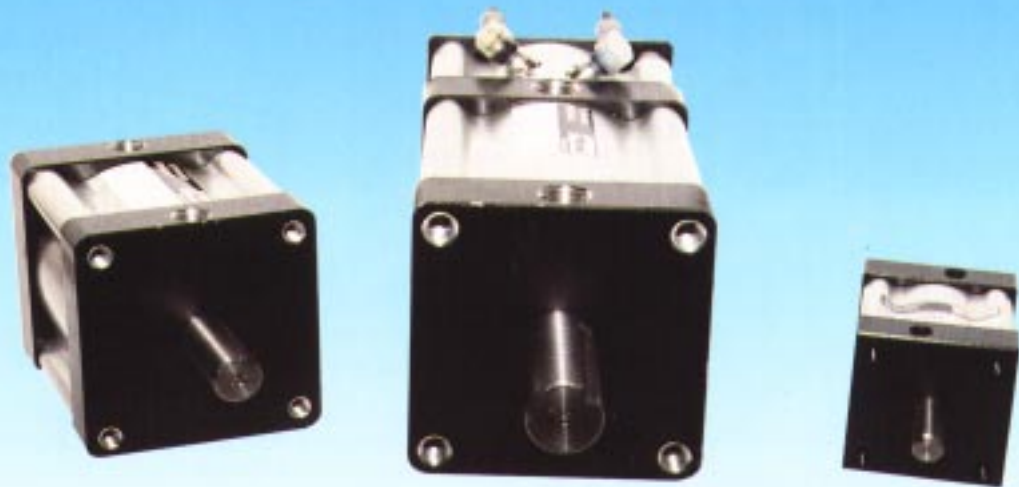




# *Pneumatic Cylinders*

*Rotary actuators  
PV series - Vane type*

*Catalogue no: 2119GB-6-po*



# Rotary actuators - vane type

## Features

**End caps** : are precision machined from aluminium, then hard anodized to ensure long seal life and low breakaway pressure.

**Vane** : a hard anodized aluminium extrusion permanently affixed to shaft, forming a structurally sound assembly. The light weight also reduces inertia allowing faster operating speeds.

**Vane seal** : a special self lubricating, abrasion resistant nitrile compound is moulded into a one piece vane seal, providing low breakaway pressure and long life, even with no lubrication. The vane seal is also removable so that field repairs can be made, if necessary.

**Bearing** : Hard anodised aluminium end caps with bearing cartridge provides substantial shaft support and wear resistance, ensuring high performance and long life.

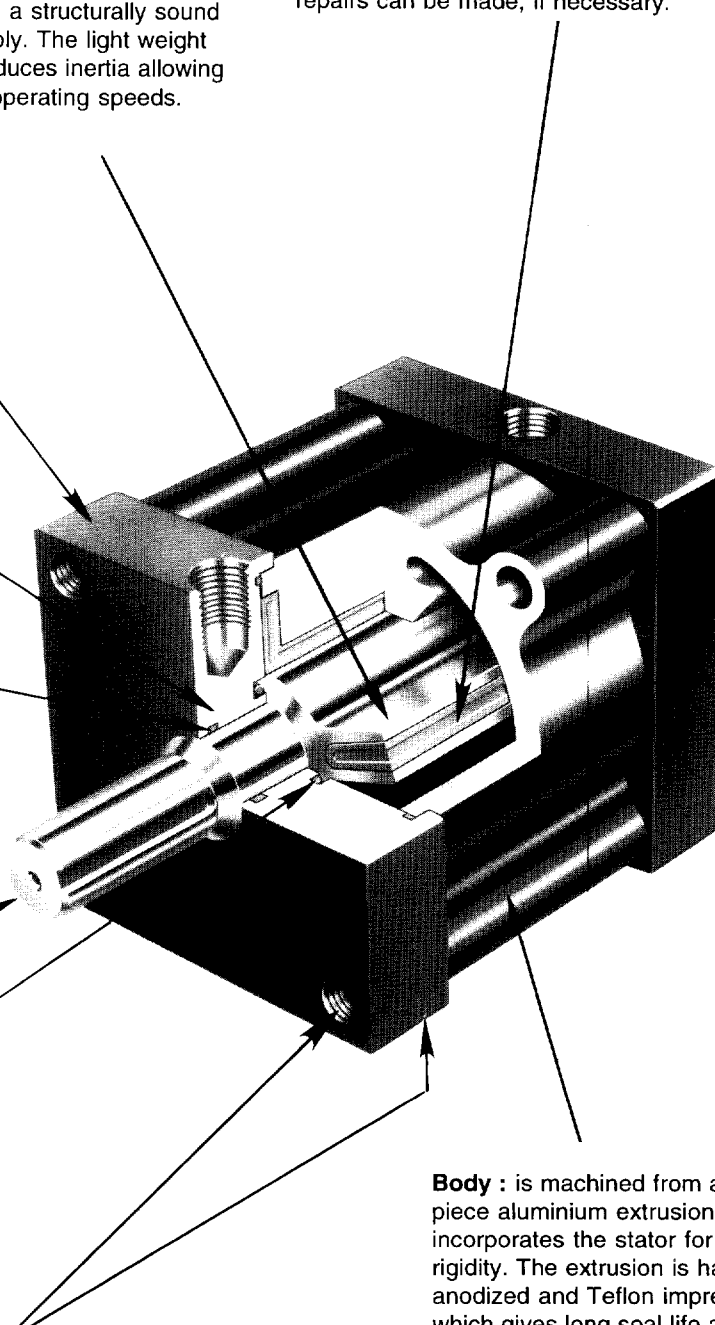
**Shaft seal** : The high quality, self lubricated, abrasion resistant nitrile seal has multiple lobe construction for leak free operation and greater reliability.

**Shaft** : stainless steel provides high strength and corrosion resistance for the most demanding applications

**Shoulder seal** : a nitrile energized glass filled Teflon seal is used to minimise bypass flow and friction, providing superior performance and long life.

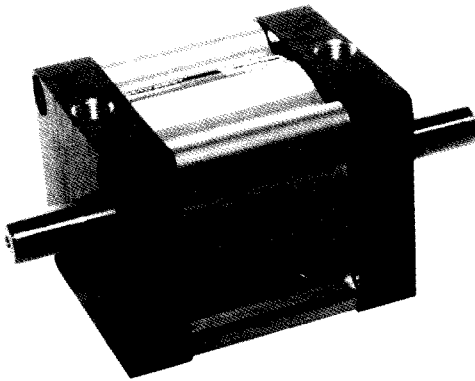
**Mounting** : Combination face and base mounting offer flexibility in application and design.

**Body** : is machined from a one piece aluminium extrusion that incorporates the stator for superior rigidity. The extrusion is hard anodized and Teflon impregnated, which gives long seal life and low breakaway pressure.



# Rotary actuators - vane type

## How do vane rotary actuators work



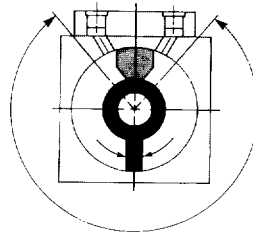
Vane actuators provide the maximum amount of output torque from the smallest possible envelope size. They convert pneumatic pressure into rotary motion for a wide variety of industrial applications.

A short cylindrical chamber encloses a vane attached to a central shaft. Air pressure is applied to one side of the vane. The opposite side of the vane is connected to exhaust. This produces rotation of the vane and thus the central shaft. Due to vane actuator design there will always be some internal bypass in these units and therefore they should not be used as a brake or to support loads.

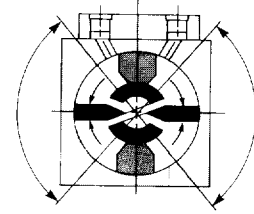
Two basic styles are available. Single vane models have a maximum rotation of 280°, while the double vane units produce twice the torque output from identical envelope dimensions and have a maximum rotation of 100°.

## Technical information

Type	Double acting actuator	
Standard rotation (tolerance $\pm 1^\circ$ )	Single vane	0 to 275°, size 10 to 11
	Double vane	0 to 280°, size 22 to 23
Temperature	Single vane	0 to 95°, size 10 to 11
	Double vane	0 to 100°, size 22 to 33
Air supply	Lubricated or non-lubricated	
Pressure range	2 to 10 bar max	



Single vane  
280° rotation



Double vane  
100° rotation

## Materials:

- End caps : Hard anodised aluminium
- Tubing : Hard anodised aluminium smooth profile
- Shaft : Stainless steel
- Bearing : PTFE coated bearing
- Vane : Hard anodised aluminium extrusion
- Seals : Nitrile

## Through Rod facility size 22 and 33

The two larger sizes of Vane Actuators are through rod as standard. The through rod facility enables linkages to be connected to both ends of the unit, maximising the design flexibility.

This also enables the unit to be equipped with a kit providing full adjustment of the angle of rotation. The kit can be supplied complete with or without inductive sensors.

These options can be assembled when ordering the actuator or can be added later, see page AK5.

# Rotary actuators - vane type

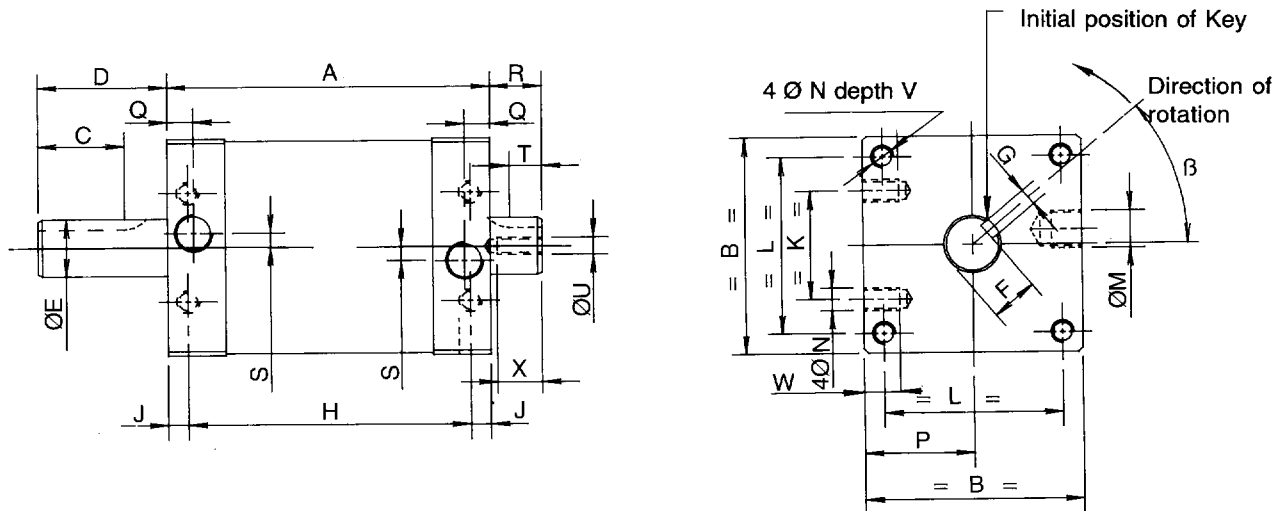
## Technical Information

Size	Max rotation (°)	Torque Nm			Max. breakaway pressure (bar)	Max. radial load (N)	Max. thrust load (N)	Unit weight (kg)	Adjustment kit weight (kg)
		3 bar	5 bar	6 bar					
10	275	0.25	0.49	0.69	1.7	40	15	0.16	-
	95	0.54	1.09	1.47	1.3				
11	275	0.54	1.09	1.47	1.3	40	15	0.20	-
	95	1.28	2.40	3.05	1.0				
22	280	2.46	4.92	6.39	1.0	100	40	0.70	0.35
	100	5.90	10.92	13.27	0.6				
33	280	5.90	11.47	14.47	1.0	200	70	1.60	0.45
	100	13.76	25.12	30.96	0.6				

**Note:** PV series vane actuators have a permissible bypass leakage rate of 0.1 dm<sup>3</sup>/s at 7 bar.

The choice of the size depends upon the pressure and the external constraints - a safety factor of 30% is required for the selection.

## Basic dimensions



$\beta = 42.5^\circ$  for sizes 10 & 11  
 $40^\circ$  for sizes 22 & 33

Size	A	B	C	D	ØE (I7)	F (P9)	G (P9)	H	J	K	L	ØM	N	P	Q	R	S	T	ØU	V	W	X
10	35	41	15.5	22	8	6.8	2	25	5	19	31	M5	M4	20.5	5	1	4.2	-	-	6	8	-
11	51	41	15.5	22	8	6.8	2	41	5	19	31	M5	M4	20.5	5	1	4.2	-	-	6	8	-
22	82	63.5	25.5	36	12	9.5	4	69	6.5	32	51	G <sup>1</sup> / <sub>8</sub>	M6	31.8	8	18	0	10	M5	11	10	15
33	112	76	30	45	20	16.5	6	98	7	38	62	G <sup>1</sup> / <sub>4</sub>	M8	38.0	9	18	0	11	M6	11	12	15

# Rotary actuators - vane type

## Vane actuator with angle adjustment size 22 and 33

The kit is assembled at the rear of the actuator and provides adjustment of:-

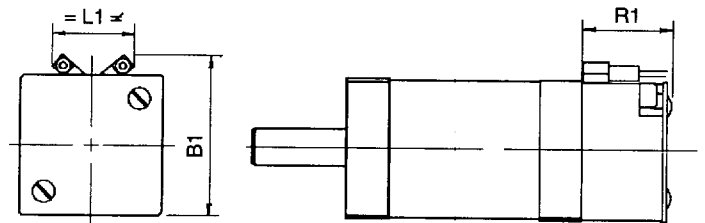
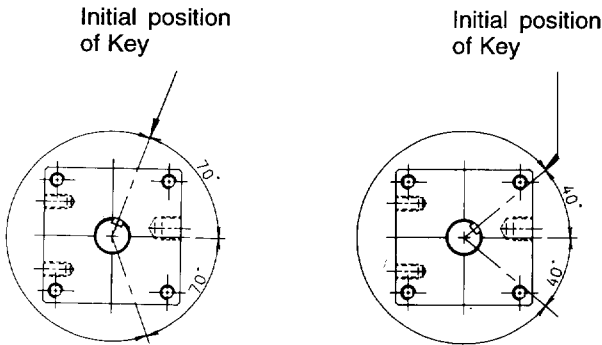
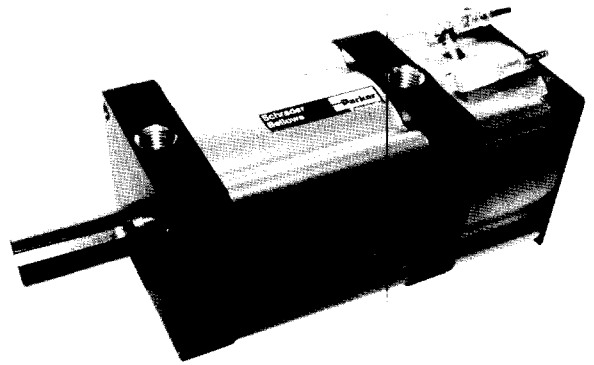
-0 to 100° for the double vane actuator

-0 to 220° for the single vane actuator

End stop cushioning is provided by buffers

Inductive sensors M8 with 90° plug-in and LED facility (PNP or NPN) can be added to the kit for end stop detection.

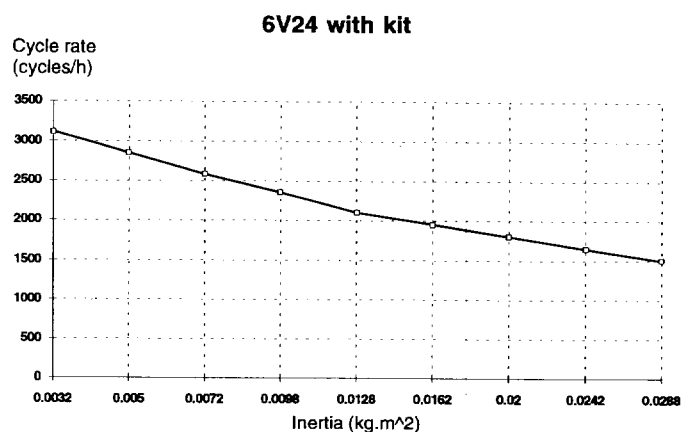
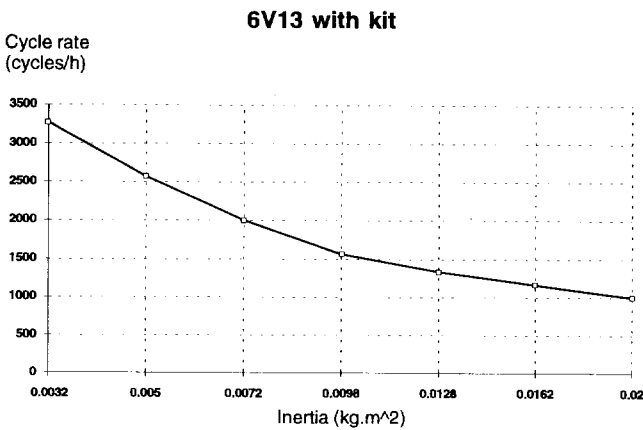
The angle adjustment is attained by moving the end stops at the rear of the actuator. To facilitate this adjustment there is a position indicating disk on the rear face of the unit.



Ref	B1	L1	R1
22	77	50	40.5
33	88	44	40.5

**One vane only**  
Maximum rotation 220° ± 1°

**Double vane**  
Maximum rotation 100° ± 1°



### Inertia calculation

$$I = M \times d^2$$

$$I = \text{kg} \cdot \text{m}^2$$

$$d = \text{meter} \quad M = \text{kg}$$

Note: Maximum length of lever: Size 22 = 50 mm (d)  
Size 33 = 60 mm (d)

# Rotary actuators - vane type

## How to order

### Part nos basic units

Size	Part no.	Max. rotation	Type	Shaft
10	6V5100010F-275	275°	Single	Not Through rod
	6V5100010F-095	95°	Double	
11	6V5200010F-275	275°	Single	
	6V5200010F-095	95°	Double	
22	6V1300030F-280	280°	Single	Through rod
	6V1300030F-100	100°	Double	
33	6V2400030F-280	280°	Single	
	6V2400030F-100	100°	Double	

### Part nos. complete with angle adjustment and sensors

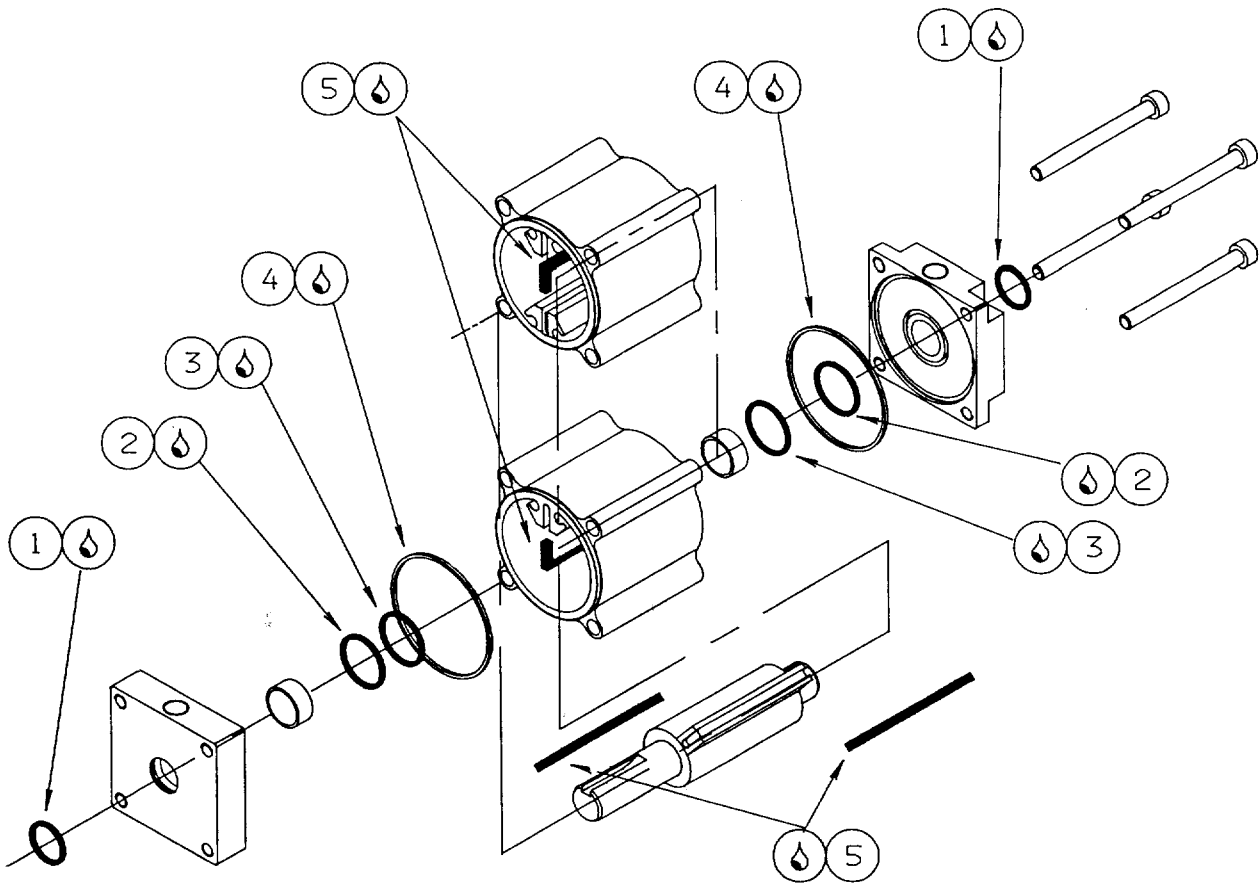
Size	Part no.	Max. rotation	Type	Options
22	6V1357630F-220	220°	Single	Angle adjustment kit
	6V1357730F-100	100°	Double	
	6V1357635F-220	220°	Single	As above + PNP Sensors + plug
	6V1357735F-100	100°	Double	
	6V1357636F-220	220°	Single	As above + NPN Sensors + plug
	6V1357736F-100	100°	Double	
33	6V2457630F-220	220°	Single	Angle adjustment kit
	6V2457730F-100	100°	Double	
	6V2457635F-220	220°	Single	As above + PNP Sensor + plug
	6V2457735F-100	100°	Double	
	6V2457636F-220	220°	Single	As above + NPN Sensor + plug
	6V2457736F-100	100°	Double	

### Part nos. angle adjustment and sensor kits

Size	Part no.	Options
22	6V03570	Angle adjustment kit
	6V03575	Angle adjustment kit with sensors PNP
	6V03576	Angle adjustment kit with sensors NPN
33	6V04570	Angle adjustment kit
	6V04575	Angle adjustment kit with sensors PNP
	6V04576	Angle adjustment kit with sensors NPN

# Rotary actuators - vane type

## Repair kits

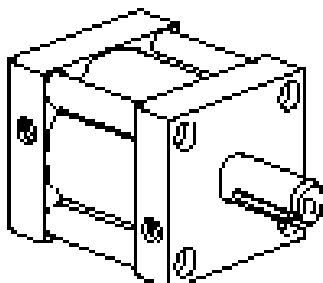


Lubricate with grease Parker ref: 3099

Size	Type	Part no.	Components				
			1 Shaft seal	2 Teflon seal	3 Shoulder seal	4 'O' ring	5 Vane seal
10	Single	PSK-PV10	2	2	2	2	2
10	Double	PSK-PV10D	2	2	2	2	4
11	Single	PSK-PV11	2	2	2	2	2
11	Double	PSK-PV11D	2	2	2	2	4
22	Single	PSK-PV22	2	2	2	2	2
22	Double	PSK-PV22D	2	2	2	2	4
33	Single	PSK-PV33	2	2	2	2	2
33	Double	PSK-PV33D	2	2	2	2	4

# Service and Replacement Parts

---



## PV Series Vane Actuators

Part Number	Type	Repair Kit
6V5100010F-275	Single vane	PSK-PV10
6V5100010F-095	Double vane	PSK-PV10D
6V5200010F-275	Single vane	PSK-PV11
6V5200010F-095	Double vane	PSK-PV11D
6V1300030F-280	Single vane	PSK-PV22
6V1300030F-100	Double vane	PSK-PV22D
6V2400030F-280	Single vane	PSK-PV33
6V2400030F-100	Double vane	PSK-PV33D