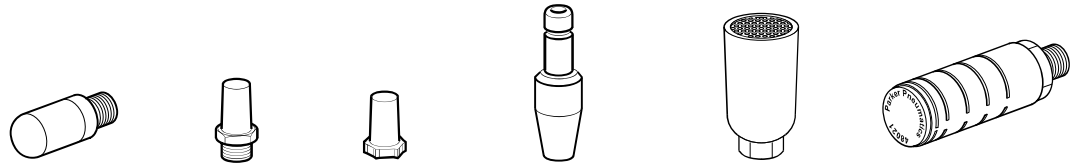


| | | Page n° |
|---|----------|---------|
| Overview | | 28 - 29 |
| Exhaust silencers | P6M-PA | 30 |
| | PXC, PZC | 30 |
| | 9090... | 31 |
| | 9127... | 31 |
| | P6M-MA | 31 |
| | 48021000 | 31 |
| Restrictors, silencers | 9301... | 32 |
| | 9126... | 32 |
| Reclassifiers | P6R | 33 |
| Reclassifiers, silencers, metal series repairable and disposable versions | 351 | 34 |
| | M315 | 35 |
| | ECS | 35 |

Exhaust silencers



| | P6M-PA... Porous polythene | 9090... Sintered bronze Male | 9721... Sintered bronze Female | PXC PZC all metal | P6M-MA Heavy duty | 48021000 Self Cleaning |
|-----------------------|----------------------------------|------------------------------------|--------------------------------------|-------------------------|----------------------|---------------------------|
| Adjustable restrictor | | | | | | |
| Exhaust silencing | ● | ● | ● | ● | ● | ● |
| Oil removal | | | | | | |
| Disposable | ● | | | | | |
| Renewable element | | | | | | |
| Cleanable | | ● | | | ● | |
| Modular | | | | | | |
| Optional manifold | | | | | | |
| No of connections | 1 | 1 | 1 | 1 | 1 | 1 |
| Push-in | | ● | | | | |
| Male ports | ● | ● | | ● | | ● |
| Female ports | | | ● | | ● | |
| Size | | | | | | |
| G1 | | | | | | |
| G3/4 | | | | | | |
| G1/2 | | | | | | |
| G3/8 | | | | | | |
| G1/4 | | | | 8 mm | | |
| G1/8 | | | | 6 mm | | |
| M5 | | | | 4 mm | | |
| Refer to page | 30 | 31 | 31 | 30 | 31 | 31 |

Exhaust silencers

- All plastic ultra light weight versions
- Sintered metal
- All metal versions for heavy duty applications
- Versions with push-in connections
- High noise level reduction
- Low back pressure generation



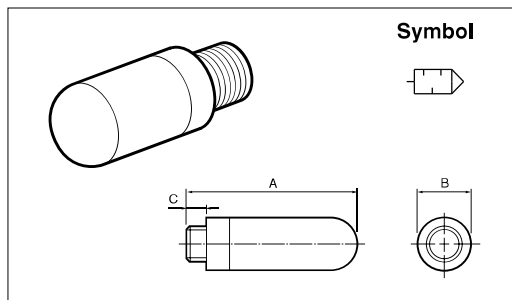
Operating and additional information

Plastic Working temperature: -10°C to +80°C
Efficiency 92%

Metal Working temperature: -10°C to +74°C

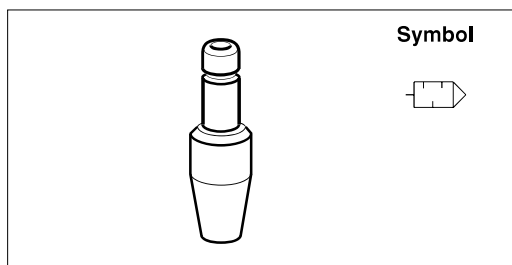
Working pressure up to 17 bar

500 Plastic Series



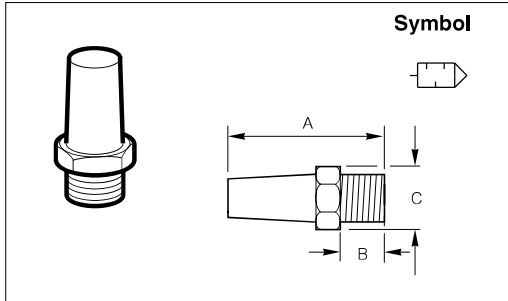
| Port thread | A | Ø B | C | Weight g | Order code |
|-------------|-----|-----|----|----------|------------|
| M5 | 23 | 6,5 | 4 | 0,01 | P6M-PAC5 |
| G1/8 | 29 | 14 | 6 | 0,02 | P6M-PAB1 |
| G1/4 | 34 | 17 | 6 | 0,04 | P6M-PAB2 |
| G3/8 | 60 | 25 | 9 | 0,06 | P6M-PAB3 |
| G1/2 | 64 | 25 | 11 | 0,10 | P6M-PAB4 |
| G3/4 | 140 | 38 | 14 | 0,50 | P6M-PAB6 |
| G1 | 160 | 48 | 20 | 0,62 | P6M-PAB8 |

Push-in Series



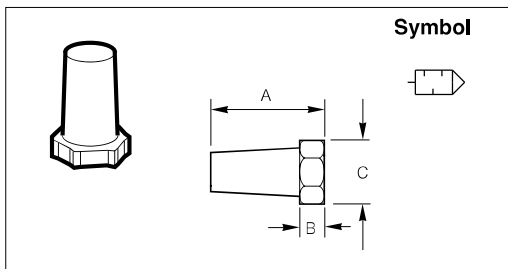
| Port mm | Height on Push-in | Weight g | Order code |
|---------|-------------------|----------|------------|
| 4 | 20,0 | 0,040 | PXC-X14 |
| 6 | 35,5 | 0,025 | PZC-S1006 |
| 8 | 34,0 | 0,030 | PZC-S1008 |

Sintered bronze Series



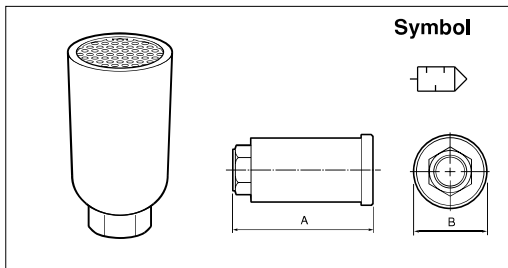
| Port thread | A | B | A/F C | Weight g | Order code |
|-------------|----|-----|-------|----------|------------|
| M5 | 23 | 6,5 | 4 | 0,003 | 9721900005 |
| G1/8 | 24 | 10 | 12 | 0,009 | 9090050700 |
| G1/4 | 32 | 11 | 16 | 0,019 | P6M-BAA2 |
| G3/8 | 43 | 13 | 21 | 0,041 | 9090050900 |
| G1/2 | 60 | 16 | 24 | 0,068 | 9090051000 |
| G3/4 | 75 | 10 | 32 | 0,126 | 9090051100 |
| G1 | 77 | 12 | 37 | 0,188 | 9090051500 |

Sintered Bronze Series (female)



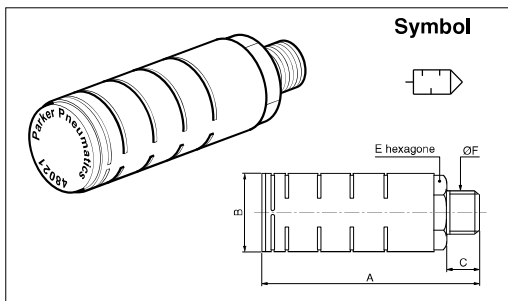
| Port mm | A | Ø B | A/F C | Weight g | Order code |
|---------|----|-----|-------|----------|------------|
| G1/8 | 15 | 8 | 13 | 0,060 | 9721900404 |

Heavy Duty Series



| Port Female | A | Ø B | C | Weight g | Order code |
|-------------|-----|-----|---|----------|------------|
| G3/8 | 83 | 37 | - | 0,124 | P6M-MA13 |
| G1/2 | 105 | 51 | - | 0,362 | P6M-MA14 |
| G3/4 | 143 | 73 | - | 0,670 | P6M-MA16 |
| G1 | 143 | 73 | - | 0,666 | P6M-MA18 |

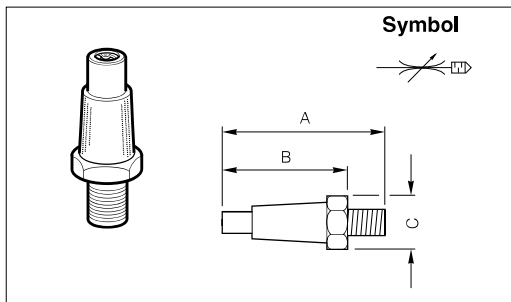
Self Cleaning, 48 Series



| Port thread | A | Ø B | C | A/F E | Weight g | Order code |
|-------------|-----|------|------|-------|----------|------------|
| G1/8 | 52 | 16 | 8 | 12 | 0,010 | 48021000 |
| G1/4 | 53 | 22,5 | 10 | 17 | 0,018 | 48041000 |
| G3/8 | 78 | 32 | 12,7 | 24 | 0,042 | 48061000 |
| G1/2 | 78 | 32 | 14 | 24 | 0,042 | 48081000 |
| G3/4 | 12 | 39 | 16 | 33 | 0,082 | 48121000 |
| G1 | 120 | 39 | 20 | 33 | 0,082 | 48161000 |

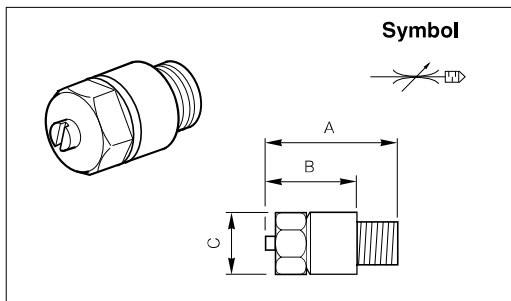
Restrictors - Silencers

- Metal, stainless steel or plastic versions
- Screwdriver adjustment
- Simple control of cylinder speeds
- High noise level reduction

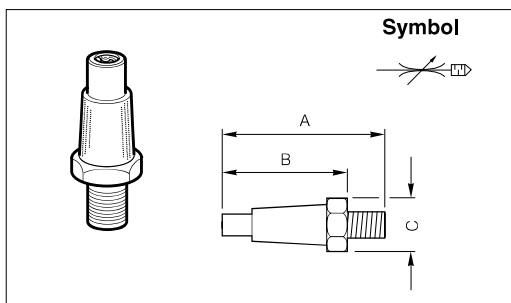
**Sintered Metal Series**

| Port thread | A | B | A/F C | Weight g | Order code |
|-------------|----|----|----------|-------------|----------------|
| M5 | 16 | 11 | 7,6 | 0,04 | 33006 |
| R1/8 | 33 | 25 | 13 | 0,16 | 43006* |
| R1/4 | 49 | 35 | 17,5 | 0,24 | T53006 |
| R3/8 | 68 | 52 | 27 | 0,56 | T63006A |
| G1/2 | 64 | 45 | 27 | 0,60 | B73006 |

* Sleeve type hand adjusted

Sintered Plastic Series

| Port thread | A | B | Ø C | Weight g | Order code |
|-------------|----|----|--------|-------------|-------------------|
| G1/8 | 23 | 16 | 7 | 0,002 | 9301050901 |
| G1/4 | 32 | 23 | 9 | 0,004 | 9301050902 |
| G3/8 | 40 | 30 | 10 | 0,010 | 9301050903 |
| G1/2 | 50 | 38 | 12 | 0,050 | 9301050904 |

Sintered Stainless Steel Series

| Port thread | A | Ø B | C | Weight g | Order code |
|-------------|----|--------|------|-------------|-------------------|
| G1/8 | 33 | 25 | 13,0 | 0,040 | 9126900195 |
| G1/4 | 49 | 35 | 17,5 | 0,040 | 9126900196 |

Exhaust silencers

Reclassifier - Silencers

- Removes oil mist from exhaust airs
- Efficiently silences exhaust air
- Easily replaceable element
- Up to 6 exhaust lines
- Gauge measurement of element efficiency
- Modular design



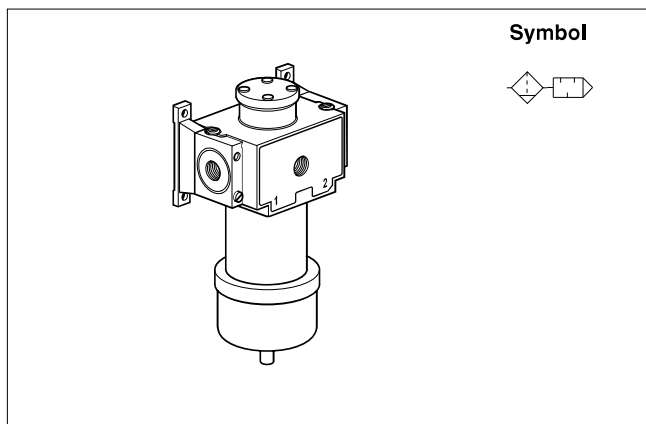
Operating and additional information

| | | |
|-----------|----------------------|---------------|
| Plastic | Working temperature: | -0°C to +66°C |
| | Efficiency | >99% |
| Flow rate | Max | 30l/s |

The Collectair enables the collection of all the exhaust lines in a system to be routed through a filter element which efficiently removes solid particles and oil vapours. It also silences the exhausting air to approximately 25 dBa. A special gauge shows the level of filter contamination by measuring the over pressure in the element.

Available with either G1/4 , G3/8, G1/2 or G3/4 modular port blocks, the top face of the unit also features 4 rubber grommets for push-in connection of Ø4 mm to Ø10 mm flexible tubing.

Collectair Series, complete units



Note: To connect units in series order a complete unit plus one body connector per additional unit.
Body connector Part No **P3E-KA00CBN**

| Port thread | A | A1 | B | B1 |
|-------------|-----|-----|-----|-----|
| G1/4 | 102 | 185 | 252 | 202 |
| G3/8 | 102 | 185 | 252 | 202 |
| G1/2 | 102 | 185 | 252 | 202 |
| G3/4 | 102 | 185 | 252 | 202 |

| C | C1 | C2 | Weight kg | Order code |
|----|-----|-----|-----------|-------------------|
| 91 | 116 | 117 | 1,200 | P6R-CB12B* |
| 91 | 116 | 117 | 1,200 | P6R-CB13B* |
| 91 | 116 | 117 | 1,200 | P6R-CB14B* |
| 91 | 116 | 117 | 1,200 | P6R-CB16B* |

*Supplied complete with port blocks, wall mounting bracket and pressure gauge to indicate condition

Collectair Series, basic modules

Supplied complete less port blocks, wall brackets and pressure gauge.

| Port size | Type of Reclassifier | Weight kg | Order code |
|-----------|------------------------------|-----------|------------------|
| None | Collectair | 1,076 | P6R-CA00N |
| None | Replacement filter cartridge | 0,122 | P6R-CK00E |

Exhaust silencers

Reclassifier - Silencers Metal Series, Repairable and Disposable versions

- Removes oil mist from exhaust airs
- Efficiently silences exhaust air
- Improves working conditions



Operating and additional information

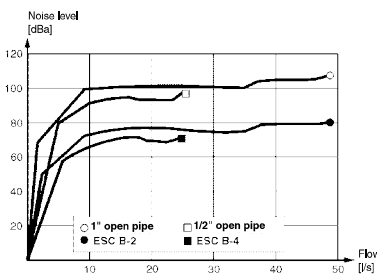
Metal repairable version

Working temperature 0 °C to 66 °C max.
 Working pressure Max 7 bar
 Efficiency Better than 99%
 Maximum flow rate G1/2, G3/4 small unit 27,8 l/s
 G3/4, G1 large unit 50 l/s

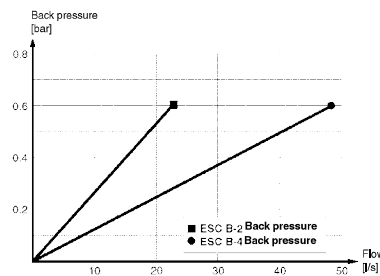
Disposable version

Working temperature 0° C to 52 °C max.
 Working pressure Max 7 bar
 Efficiency Better than 99%
 Maximum flow rate See graph

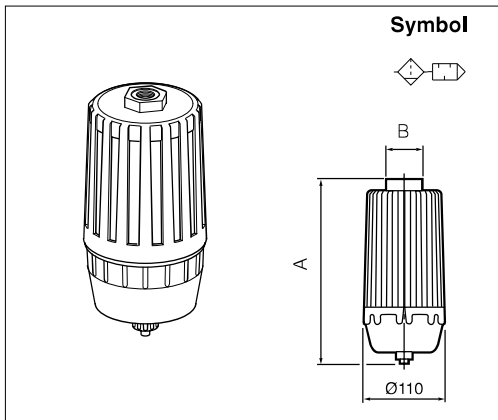
Disposable version
Flow vs. Noise level



Flow vs. Back pressure



Metal Repairable Series

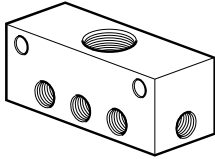


| Port thread | Type | A | Ø | A/F B | Weight kg | Order code |
|-------------|-------|-----|-----|-------|-----------|--------------|
| G1/2 | Small | 182 | 110 | 50 | 0,572 | 3514S |
| G3/4 | Small | 182 | 110 | 50 | 0,592 | 3516S |
| G3/4 | Large | 297 | 110 | 55 | 1,100 | 3516 |
| G1 | Large | 297 | 110 | 55 | 1,100 | 3518 |

| Replacement Element | Weight kg | Order code |
|---------------------|-----------|----------------|
| Small | 0,200 | 3514S-2 |
| Large | 0,200 | 3516-2 |

Exhaust silencers

Manifold for Metal Repairable version



The manifold is available for G3/4 sizes only.
For other sizes consult Technical Sales Dep't.

| No ports | Weight kg | Order code |
|----------|-----------|-----------------|
| 5 | 0,270 | M3516-5 |
| 7 | 0,432 | M3516-7 |
| 9 | 0,574 | M3516-9 |
| 13 | 0,870 | M3516-13 |

| | | |
|--------------------------|-------|---------------|
| Wall mounting kit | 0,040 | 3516-W |
|--------------------------|-------|---------------|

Disposable version



Symbol



| Port size | Weight kg | Order code |
|-----------|-----------|---------------|
| G1/2 | 0,104 | ECSB-2 |
| G3/4 | 0,134 | ECSB-4 |